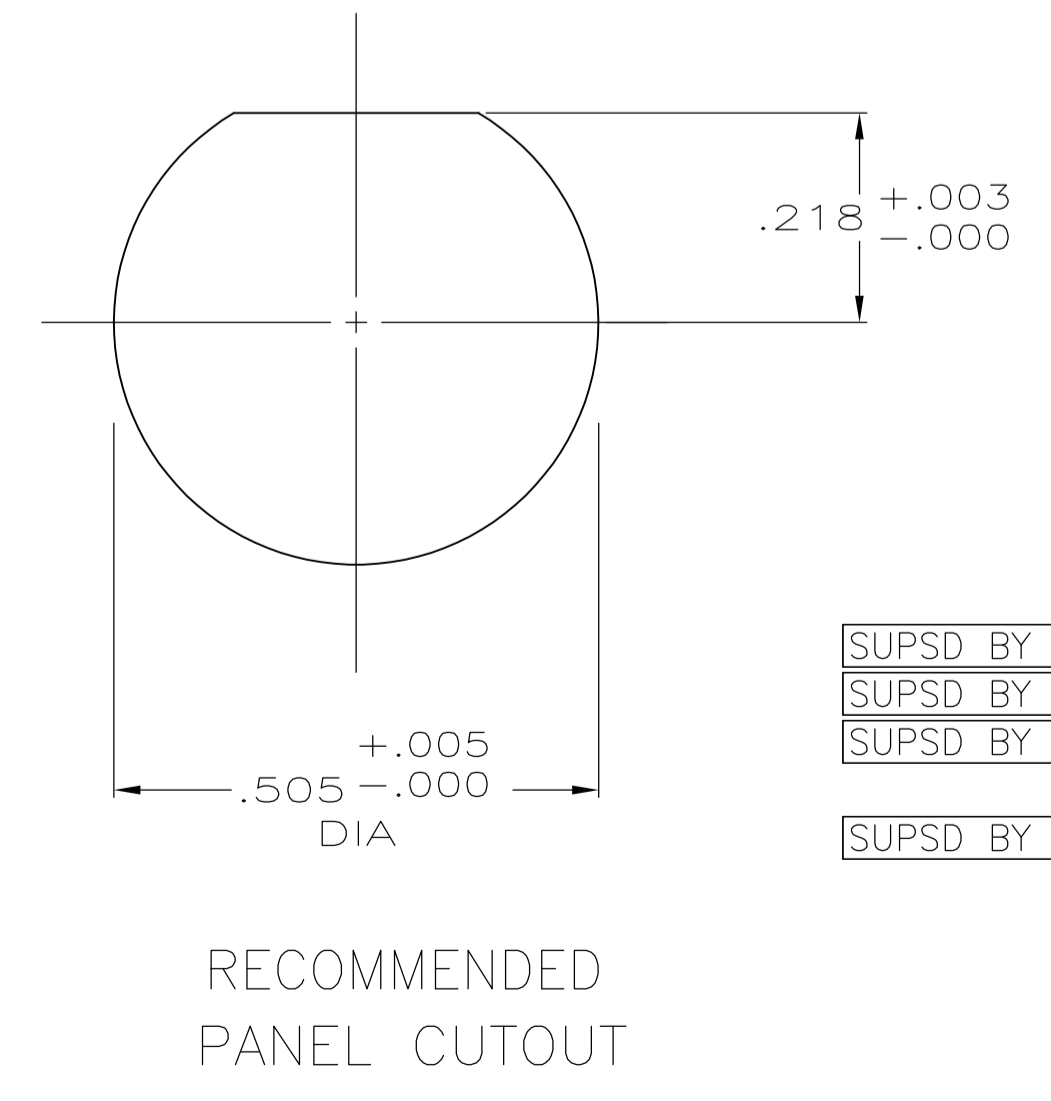
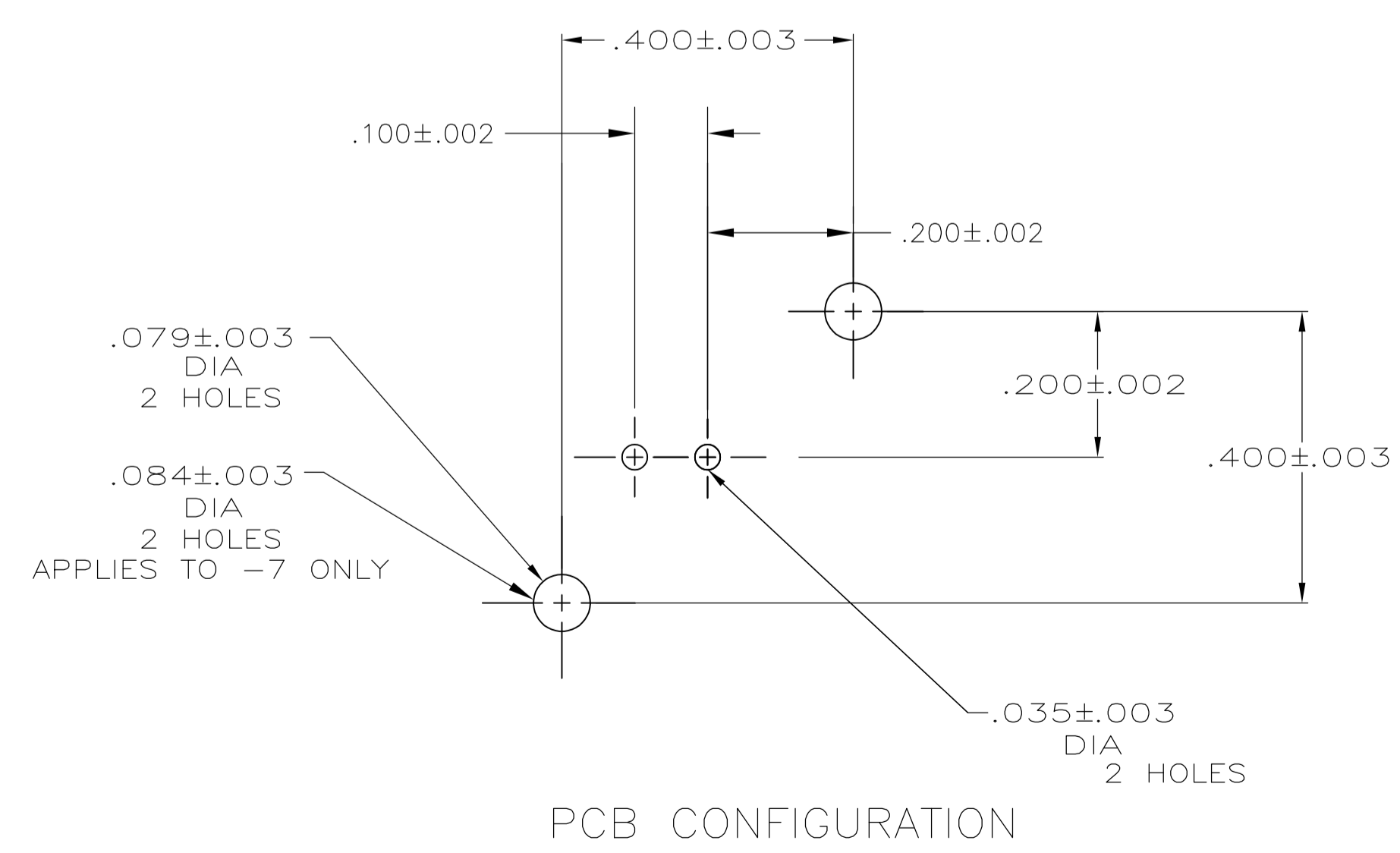
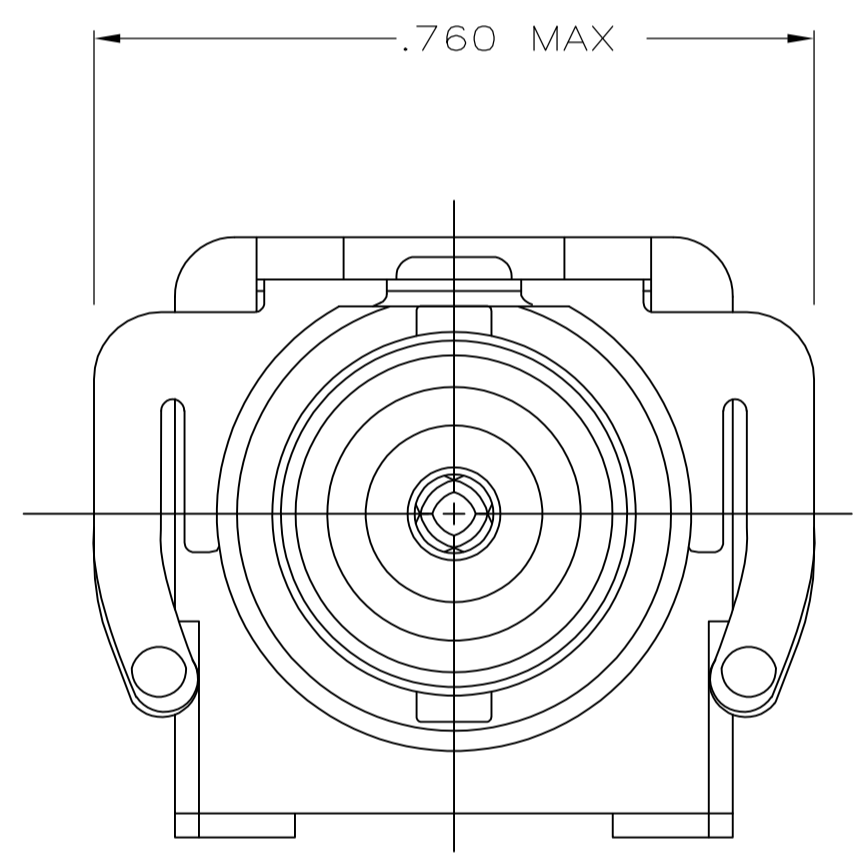
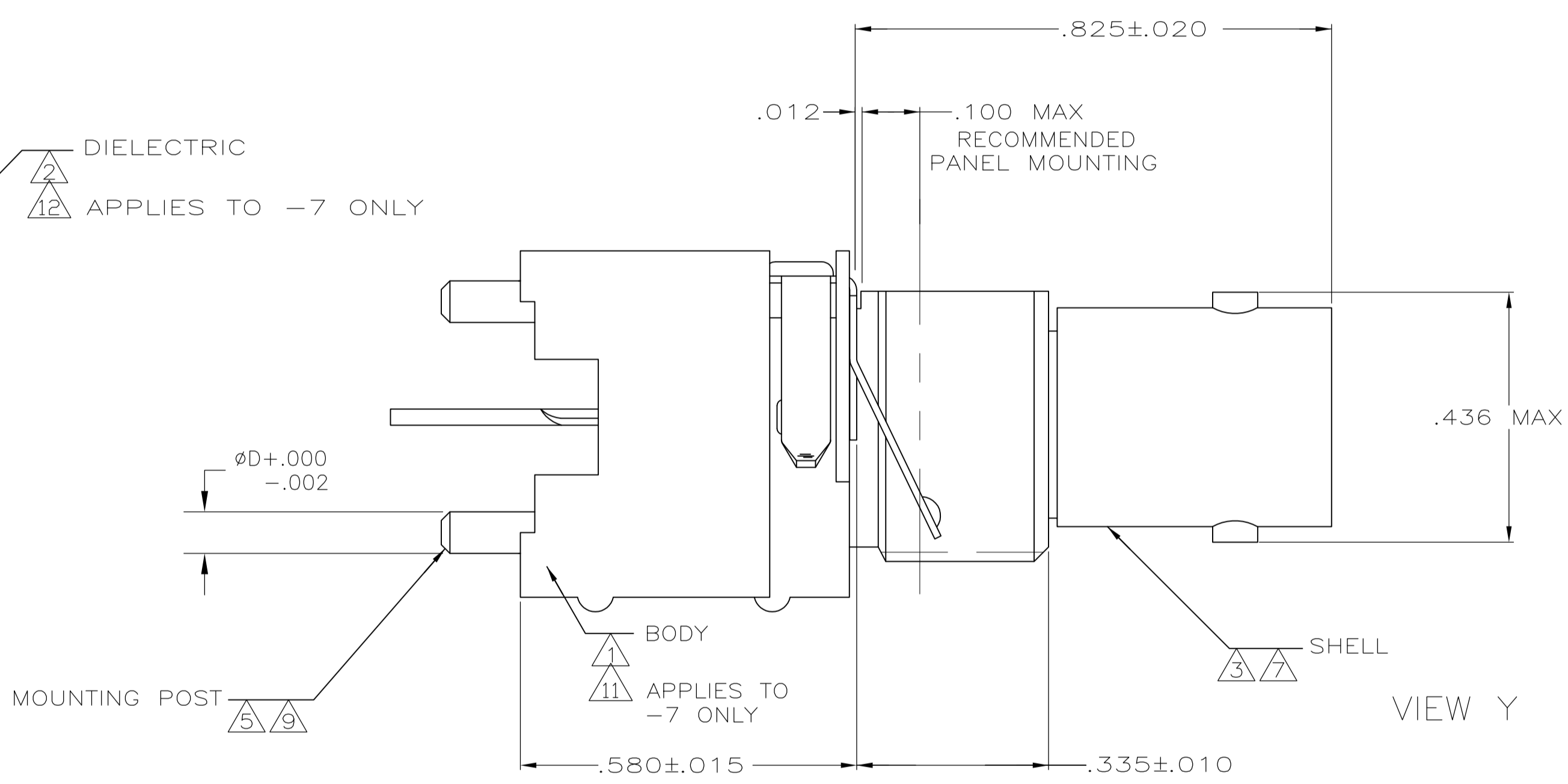
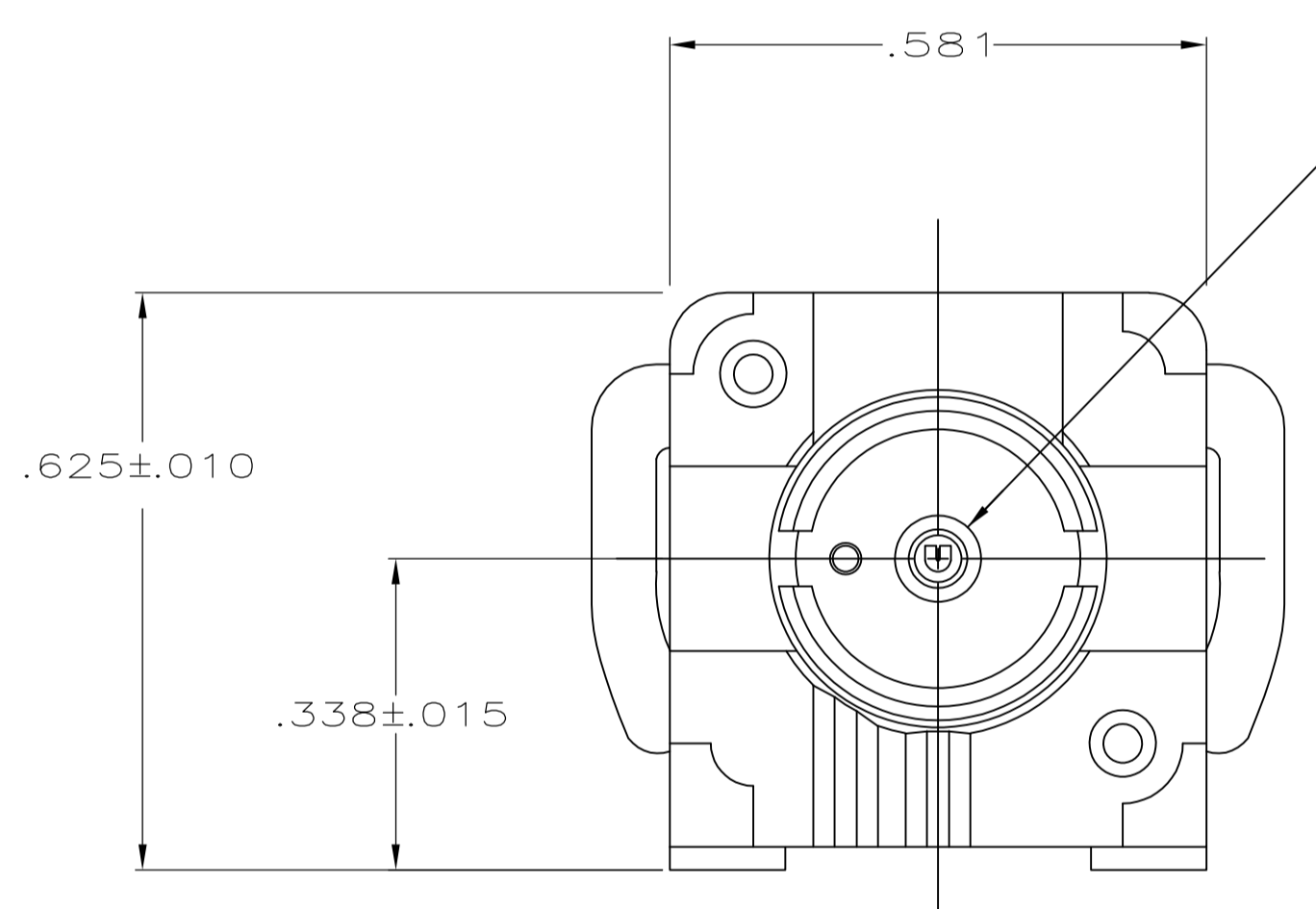


- 1 POLYESTER, PBT, BLACK, PER MIL-M-24519
- 2 POLYMETHYLPENTENE GENERAL PURPOSE
- 3 ZINC PER QQ-Z-363
- 4 PHOSPHOR BRONZE PER QQ-B-750
- 5 BRASS PER QQ-B-626
- 6 BRASS PER ASTM-B-453
- 7 NICKEL PL PER QQ-N-290
- 8 TIN PL PER ASTM-B-545
- 9 TIN PL PER ASTM-B-545
- 10 SELECTIVELY GOLD PLATED ON INTERFACE AREA PER: MIL-G-45204, .000030 THK, TIN PLATED ON SOLDER TAIL PER: ASTM-B-545, ALL OVER NICKEL PL PER: QQ-N-290
- 11 POLYESTER, PCT, BLACK, GENERAL PURPOSE
- 12 POLYPHTHALAMIDE PPA, NATURAL, GENERAL PURPOSE.
- 13 TRAY PACKAGING.



W	ØD	L	CLIP VIEW	CAPACITANCE AND VOLTAGE	PART NUMBER
				9400 pf, 1500 VDC	413476-7
				9400 pf, 1500 VDC	413476-6
SUPSD BY 413476-6				9400 pf, 1500 VDC	413476-5
SUPSD BY 413476-2				9400 pf, 1500 VDC	413476-4
SUPSD BY 413476-2				9400 pf, 500 VDC	413476-3
SUPSD BY 413476-2				9400 pf, 1500 VDC	413476-2
SUPSD BY 413476-2				9400 pf, 500 VDC	413476-1

THIS DRAWING IS A CONTROLLED DOCUMENT.

APVD: P. KERLIN (5/3/90), R.E. RUTH (5/18/90)

NAME: JACK, DECOUPLER, VERTICAL, PCB, SERIES BNC

PRODUCT SPEC: 108-1269

APPLICATION SPEC: -

SIZE: A1, CASE CODE: 00779, DRAWING NO: 413476

RESTRICTED TO: -

SCALE: 5:1, SHEET: 1 of 1, REV: V